

Systems for optimising production / Accessories  
**Bracket for 1-sided mount. GY**



**Part No.:** 960.000.52

| MECHANICAL DATA       |       |
|-----------------------|-------|
| Height                | 98 mm |
| Diameter              | 70 mm |
| Materials             | PA-GF |
| Housing colour        | Grey  |
| Weight with packaging | 75 g  |
| Product weight        | 75 g  |

| APPROVAL DATA                |    |
|------------------------------|----|
| Conforms with CE             | No |
| WEEE                         | No |
| Conforms with RED directive  | No |
| Conforms with ATEX-directive | No |
| Conforms with CCC            | No |
| Conforms with UL             | No |
| Conforms with FCC            | No |
| Conforms with IC             | No |
| EAC certificate available    | No |
| Conforms with AS-I           | No |
| ICAO Certification           | No |
| Conforms with DNV            | No |
| Conforms with RoHS CN        | No |

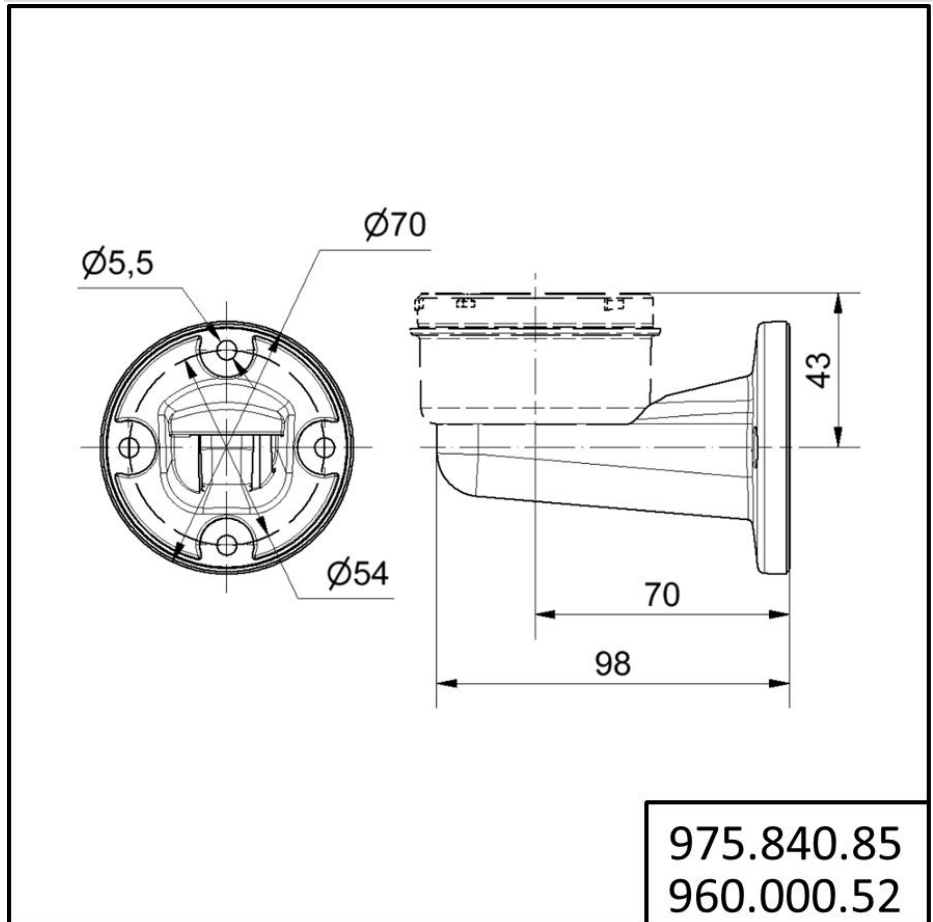


For additional installation and mounting information, refer to the appropriate user guide at [www.werma.com](http://www.werma.com). This printed copy is for information only and is subject to alteration.

Systems for optimising production / Accessories

**Bracket for 1-sided mount. GY**

**DRAWING**



**!** For additional installation and mounting information, refer to the appropriate user guide at [www.werma.com](http://www.werma.com). This printed copy is for information only and is subject to alteration.